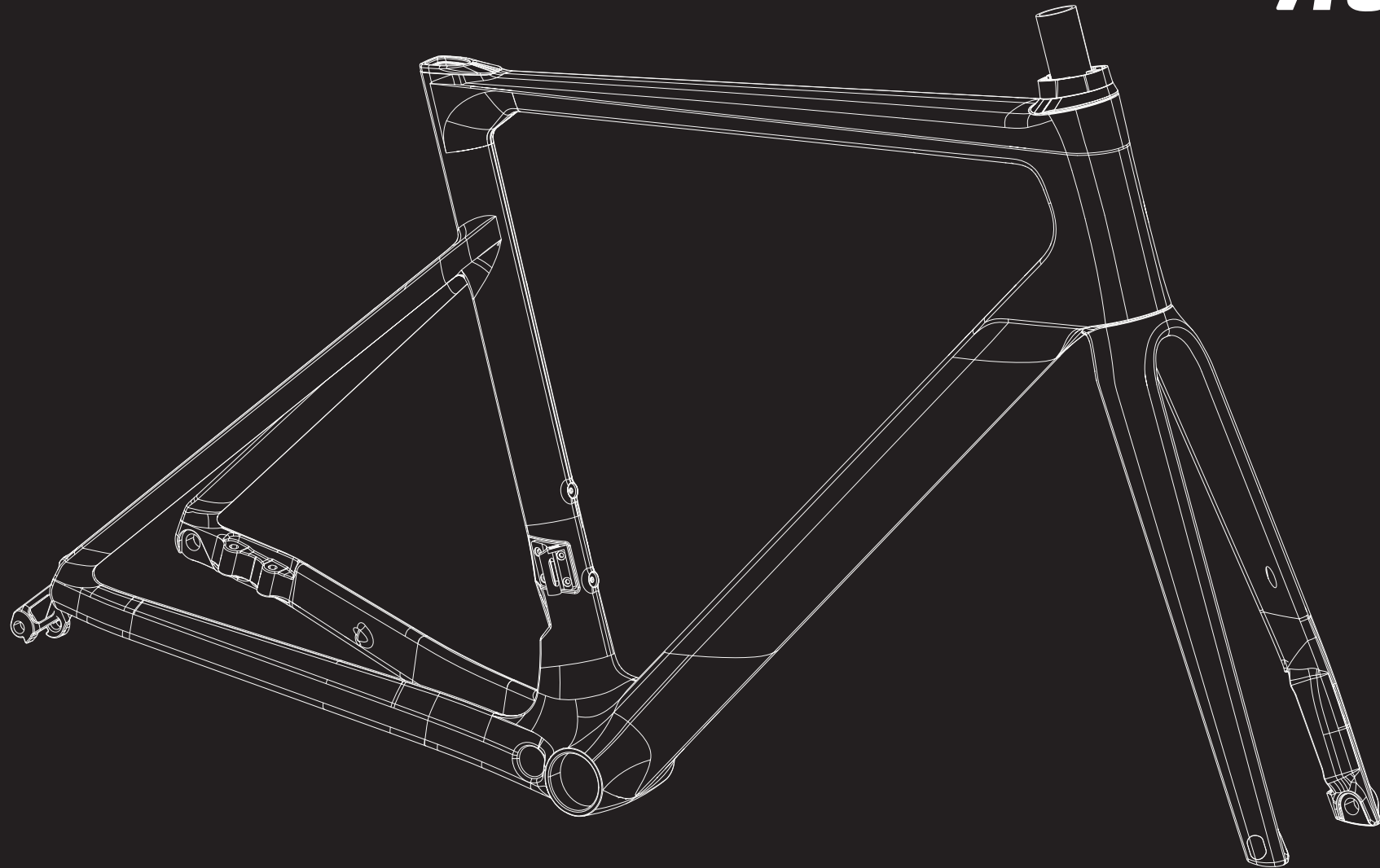


# *ROSE*



**ANY QUESTIONS?**

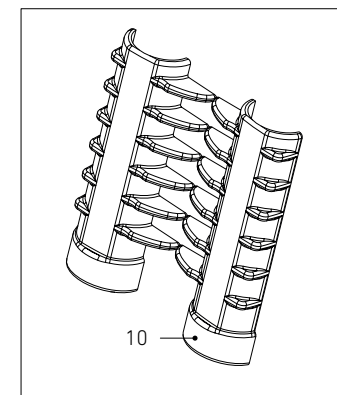
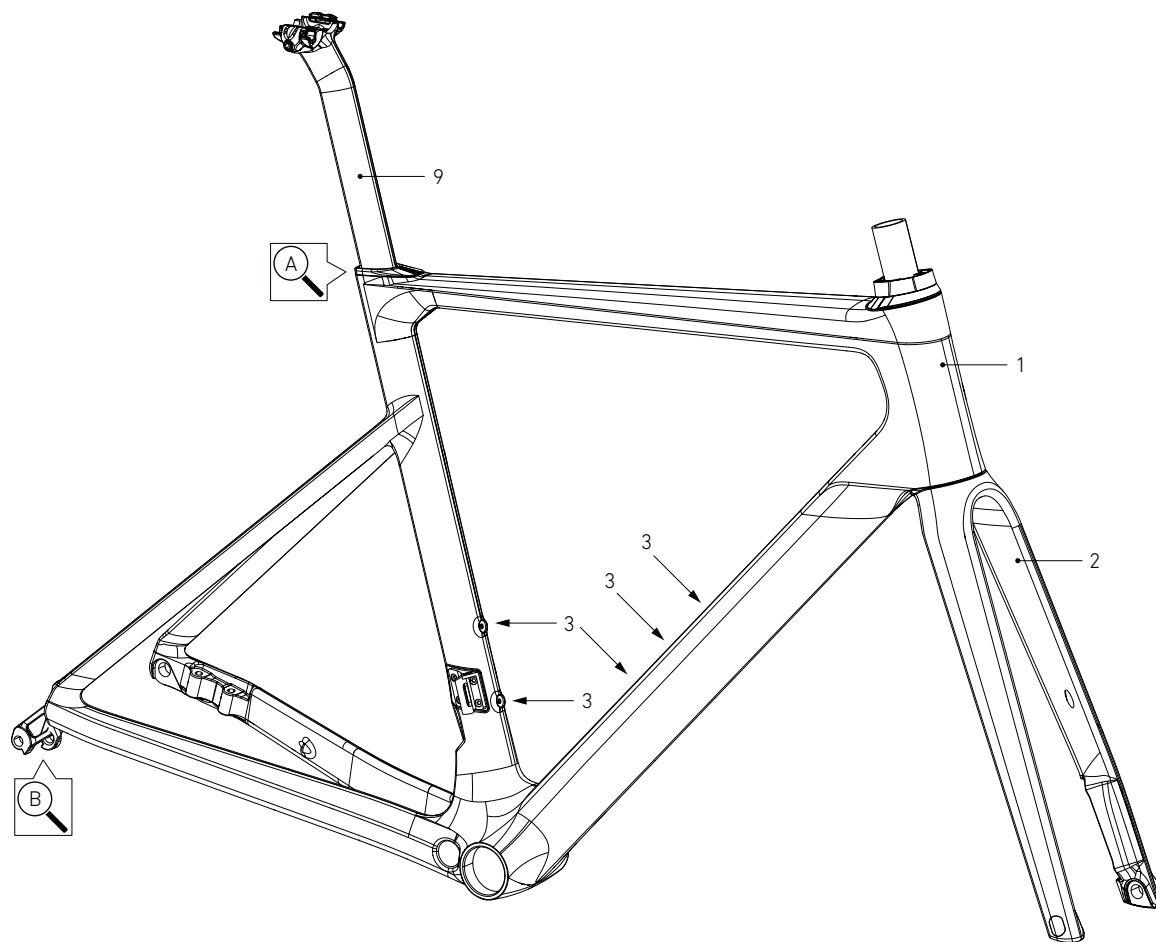
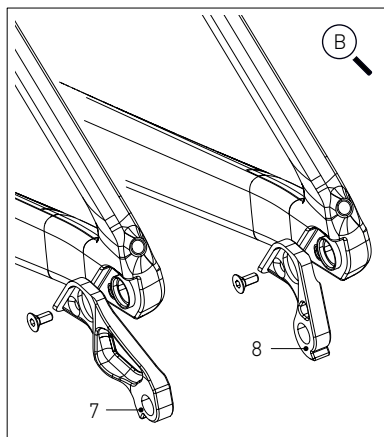
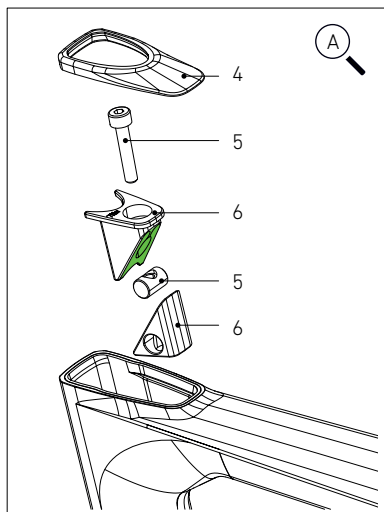
[technik@rosebikes.com](mailto:technik@rosebikes.com)

ROSE Bikes GmbH  
Schersweide 4  
46395 Bocholt, Germany

# **X L I T E**

**FRAME DETAILS**

# XLITE FRAME DETAILS

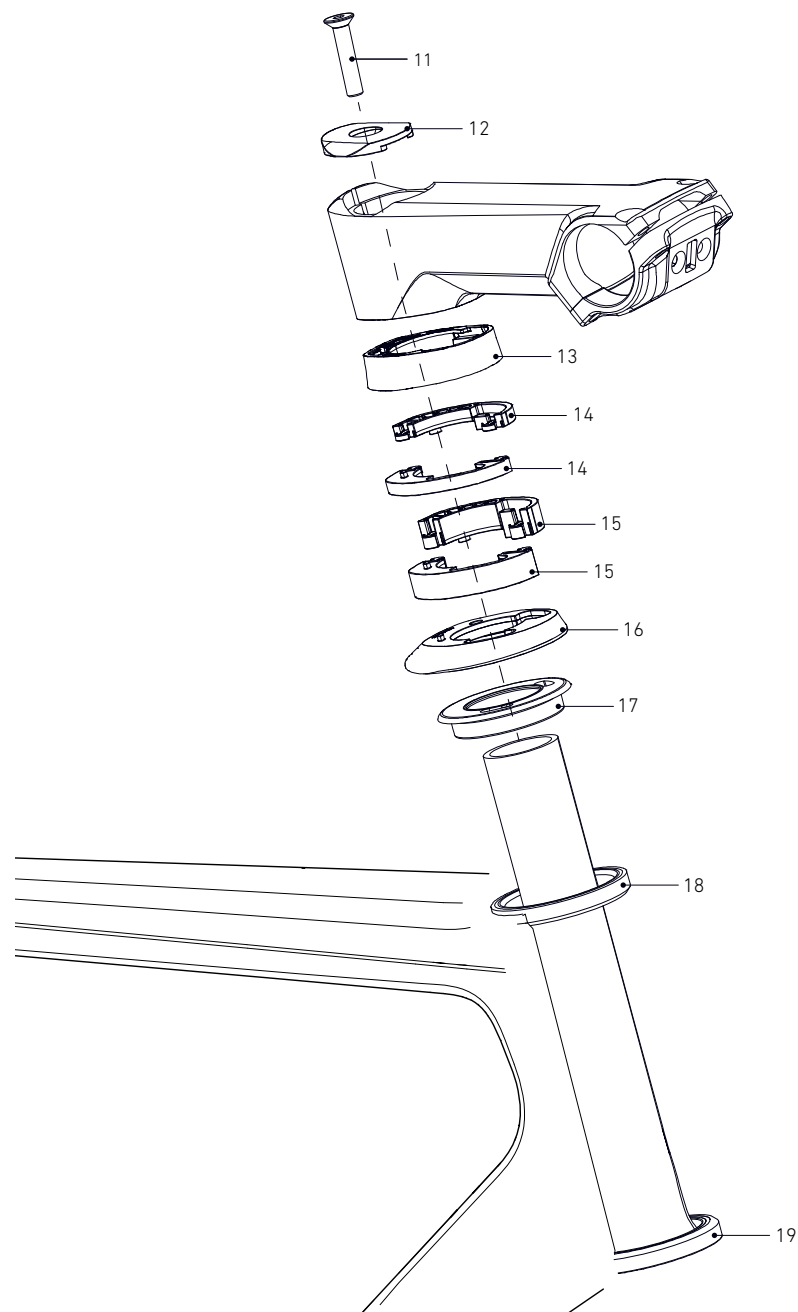


POS.	DESCRIPTION	SPECIFICATIONS	ART. NR.
1	frame XLITE	color: chalk	2310702
		color: aggro papaya	2322920
		color: bottermelkfresh	2310703
		color: matt carbon	2322930
		color: borealis green/chalk	2310725
2	fork XLITE	color: chalk	2310704
		color: aggro papaya	2322931
		color: bottermelkfresh	2310705
		color: matt carbon	2322932
		color: borealis green/chalk	2310796

POS.	DESCRIPTION	SPECIFICATIONS	ART. NR.
3	bottle screw	size? qty per item?	232536701
4	clamp cover	rubber/TPU	2317202
5	seatpost clamp screw	screw M5x25 / swivel nut M5 / washer M5	2317201
6	clamp block	2 pieces	
7	R/D hanger directmount	incl. fixing screw	232306401
8	R/D hanger standard	incl. fixing screw	232306501
9	seat post		231072701
10	Di2 battery holder		2317204
	GREASE	Motorex Bike Grease 2000 100 g	49208600
	CARBON ASSEMBLY PASTE	for example DYNAMIC, Art. Nr. 25377201	

# X L I T E

## FRAME DETAILS



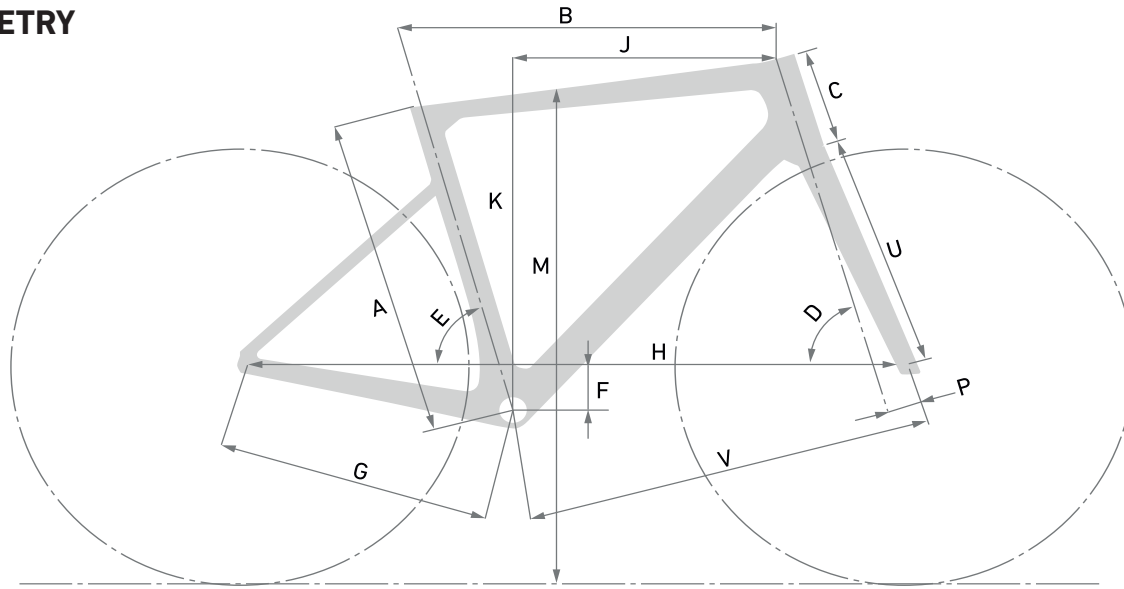
## HEADSET DETAILS

POS.	DESCRIPTION	SPECIFICATIONS	ART. NR.
11	countersunk head screw	DIN7991, M6 X 30 mm	2292459
12	top cap		
13	top cover	for fully integrated cable routing	
14	spacer	different heights available <sup>*1</sup>	
15	spacer	different heights available <sup>*1</sup>	
16	headtube cover		
17	compression ring	Ø1 1/8"	
18	upper bearing	42 x 52 x 7 mm	
19	lower bearing	40 x 52 x 7 mm, R1	

<sup>\*1</sup> choose art. nr. 2292460

# X L I T E

## GEOMETRY



## FRAME INTERFACES

<b>BOTTOM BRACKET</b>	Shimano: SM-BB72-41B Pressfit Sram: DUB PF Road 86,5
<b>FRONT WHEEL AXLE</b>	12 x 100 mm: ROSE Art. Nr.: 227585701
<b>REAR WHEEL AXLE</b>	12 x 142 mm, ROSE Art. Nr.: 227469001
<b>FRONT BRAKE MOUNT</b>	Flatmount 160 mm
<b>REAR BRAKE MOUNT</b>	Flatmount 160 mm
<b>MAX Ø DISC</b>	front & rear: 160 mm
<b>Ø SEATPOST</b>	D-shape
<b>MAX. TIRE SIZE</b>	700 x 32c
<b>MAX. CHAINRING SIZE</b>	53/39
<b>BOTTLE CAGE</b>	yes, 2x

**MAX SYSTEM WEIGHT (RIDER + BICYCLE + CLOTHING + GEAR + LUGGAGE): 110 KG**  
**INTENDED USE: DIN EN 17406 CATEGORY 6**

## FRAME GEOMETRY

SIZE		50	53	55	57	59	62
SEATTUBE LENGTH [MM]	A	430	460	480	500	525	565
TOPTUBE LENGTH HORIZONTAL [MM]	B	504	523	541	558	575	593
HEADTUBE LENGTH [MM]	C	105	120	135	152	168	192
HEAD TUBE ANGLE	D	71°	72°	72,5°	73°	73,3°	73,5°
SEAT TUBE ANGLE	E	75,5°	75°	74,5°	74°	74°	74°
BB DROP [MM]	F	72	72	72	69	69	69
REAR CENTER [MM] (CHAINSTAY LENGTH)	G	410	410	410	410	410	410
WHEELBASE [MM]	H	975	980	990	998	1013	1027
REACH [MM]	J	372	382	391	398	410	422
STACK [MM]	K	508	526	542	557	573	597
STAND-OVER HEIGHT (100 MM BEFORE BB)	M	730	754	781	791	812	844
FORK OFFSET [MM]	P	45	45	45	45	45	45
FORK LENGTH [MM]	U	372	372	372	372	372	372
FRONT CENTER [MM]	V	574	581	590	598	613	629
STACK TO REACH RATIO		1.37	1.38	1.39	1.40	1.40	1.41