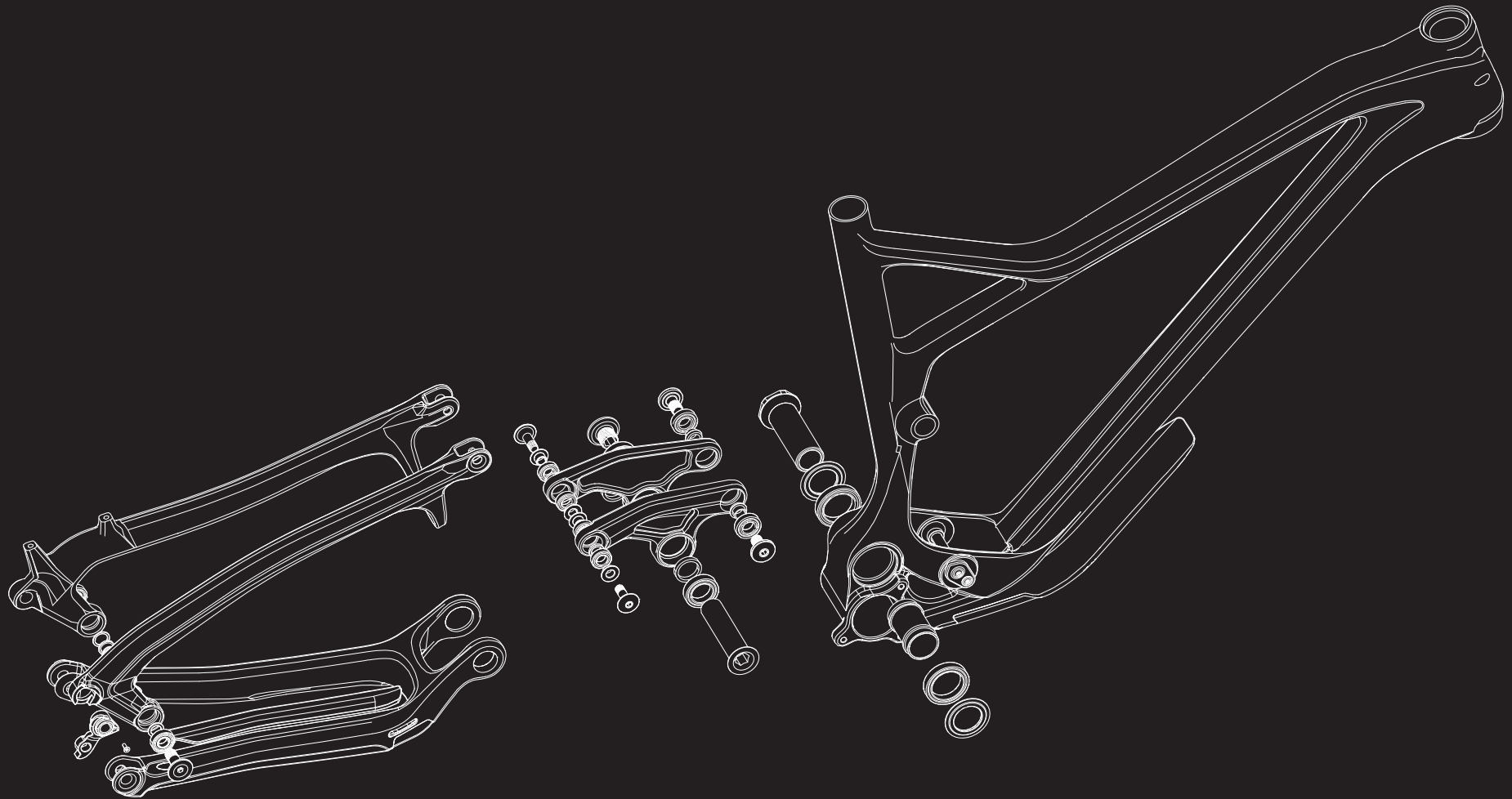


ROSE



ANY QUESTIONS?

technik@rosebikes.com

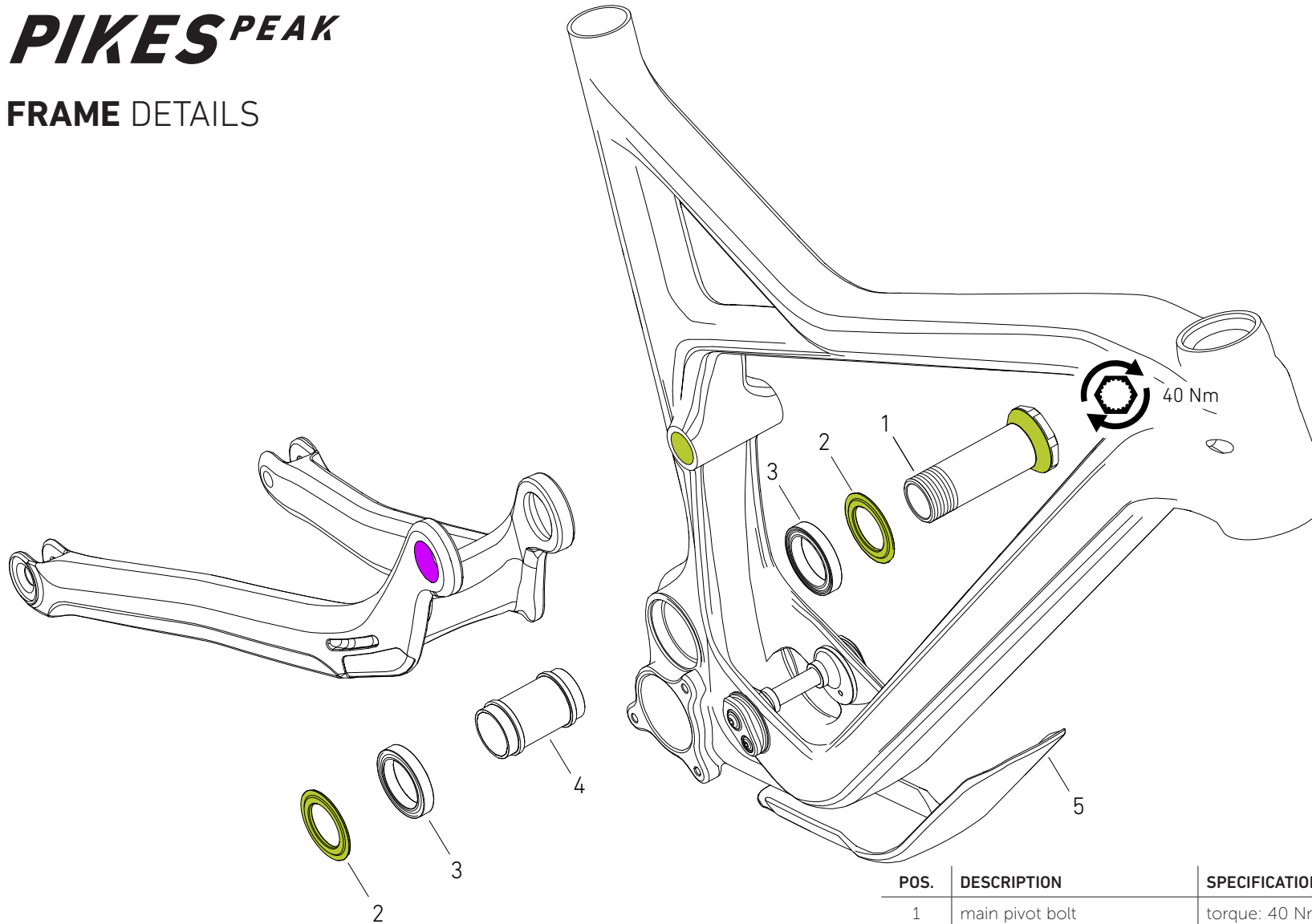
ROSE Bikes GmbH
Schersweide 4
46395 Bocholt, Germany

PIKES^{PEAK}

FRAME DETAILS

PIKES^{PEAK}

FRAME DETAILS

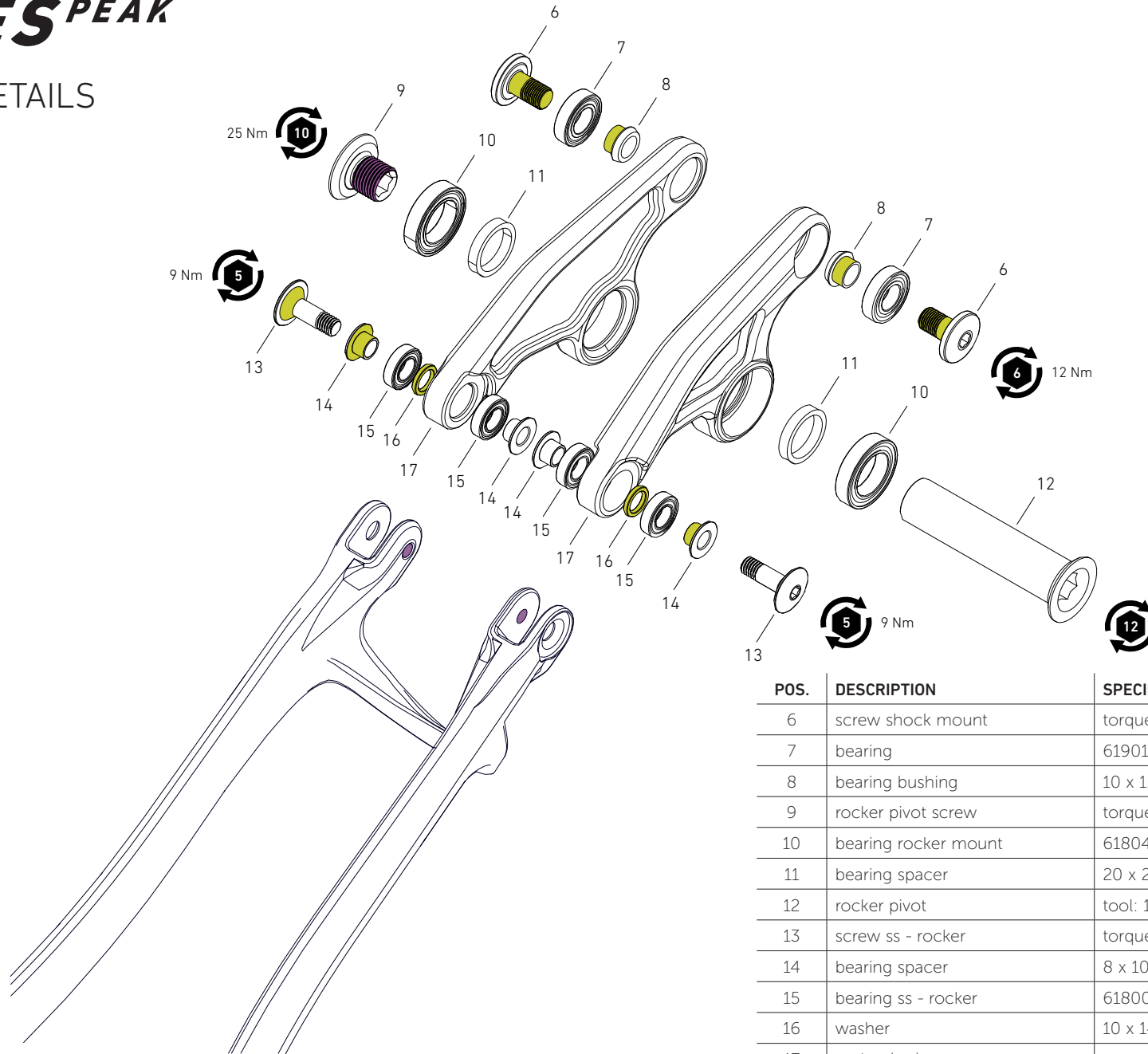


MAIN FRAME DETAILS

POS.	DESCRIPTION	SPECIFICATIONS	ART. NR.
1	main pivot bolt	torque: 40 Nm tools: 36 mm wrench or Shimano BB cartridge tool (e.g. TL-UN66)	225789401
2	yoke spacer	27 x 43 x 2.5 mm	225525001
3	bearing	61806-2RS1, 30 x 42 x 7 mm	225790201
4	sleeve main pivot		2297059
5	frame protector downtube		226109101
	GREASE	DYNAMIC GALLI BEARING 100 g	49217800
		DYNAMIC GALLI BEARING 400 g	49217900
	THREADLOCKER	mid strength, for example Art. Nr. 1322431	

PIKES^{PEAK}

FRAME DETAILS

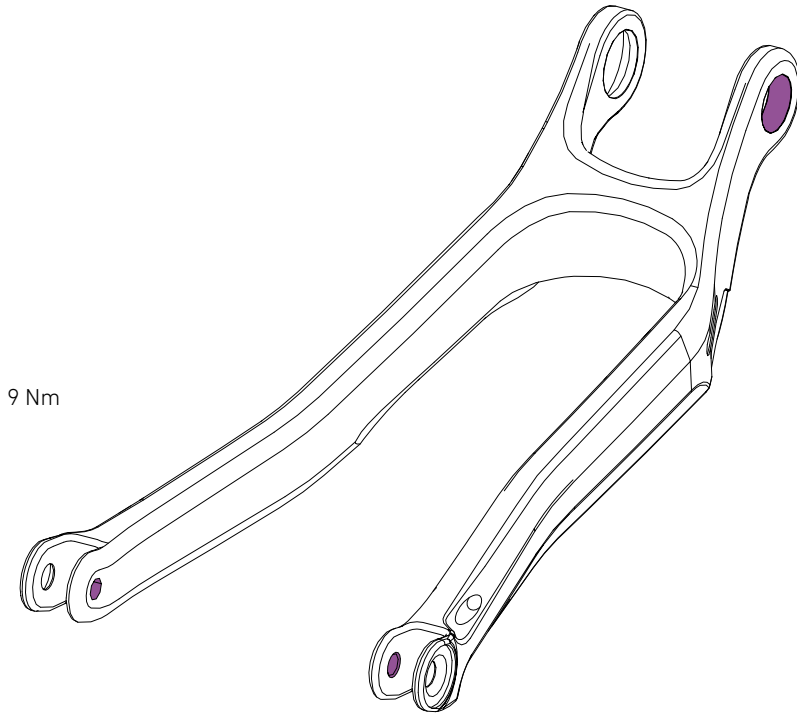
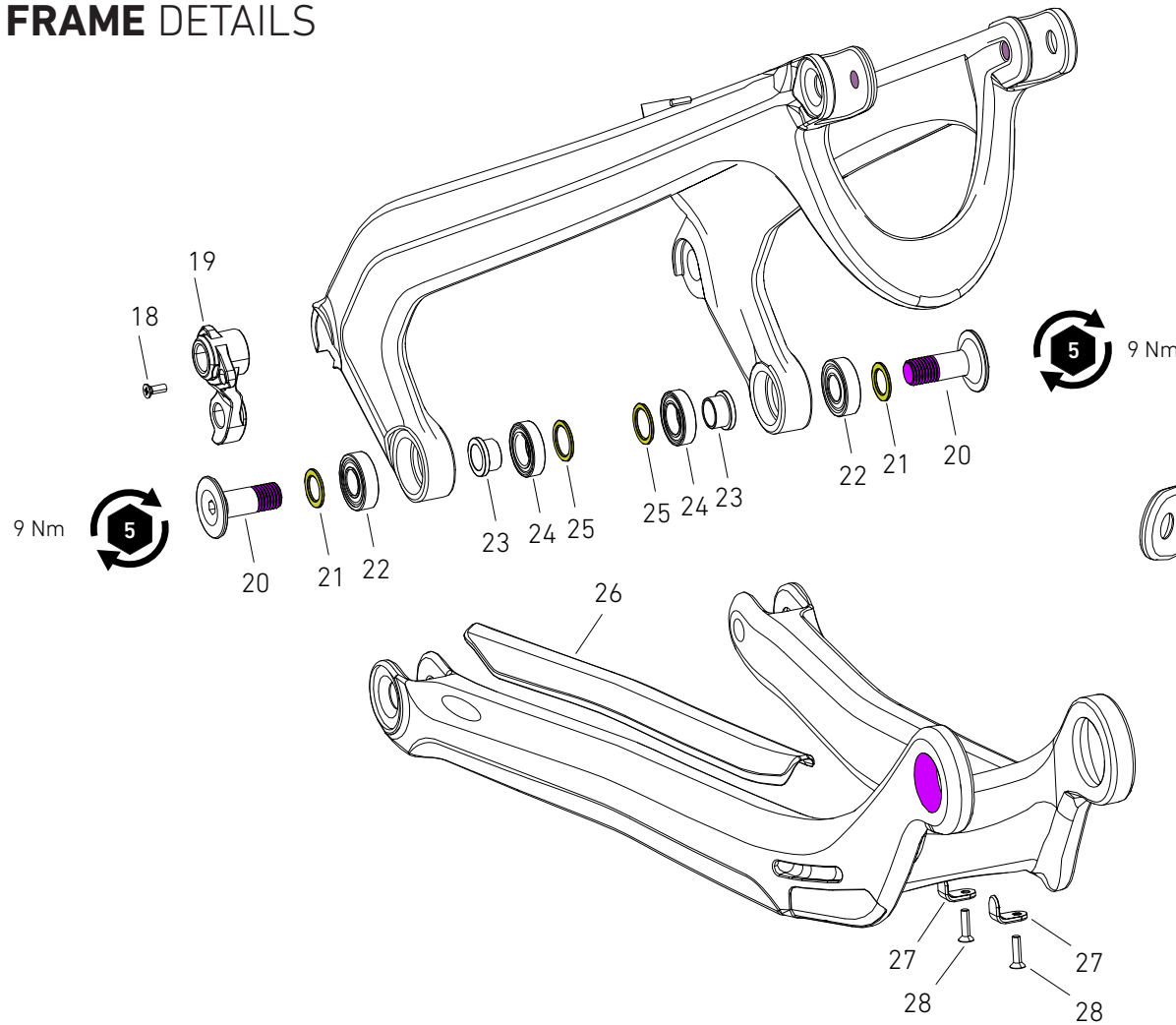


ROCKER DETAILS

POS.	DESCRIPTION	SPECIFICATIONS	ART. NR.
6	screw shock mount	torque: 12 Nm / tool: 6 mm hex	225524701
7	bearing	61901-2RS1, 12 x 24 x 6 mm	225789801
8	bearing bushing	10 x 12 x 8.5 mm	225524101
9	rocker pivot screw	torque: 25 Nm / tool: 10 mm hex	225524501
10	bearing rocker mount	61804-2RS1, 20 x 32 x 7 mm	225789701
11	bearing spacer	20 x 25 x 4.5 mm	225524201
12	rocker pivot	tool: 12 mm hex	225524401
13	screw ss - rocker	torque: 9 Nm / tool: 5 mm hex	225524801
14	bearing spacer	8 x 10 x 6.9 mm	1970681
15	bearing ss - rocker	61800-2RS1, 10 x 19 x 5 mm	225789901
16	washer	10 x 14 x 2 mm	2190112
17	rocker (set)		225790301
	GREASE	DYNAMIC GALLI BEARING 100 g	49217800
		DYNAMIC GALLI BEARING 400 g	49217900
	THREADLOCKER	mid strength, for example Art. Nr. 1322431	

PIKES^{PEAK}

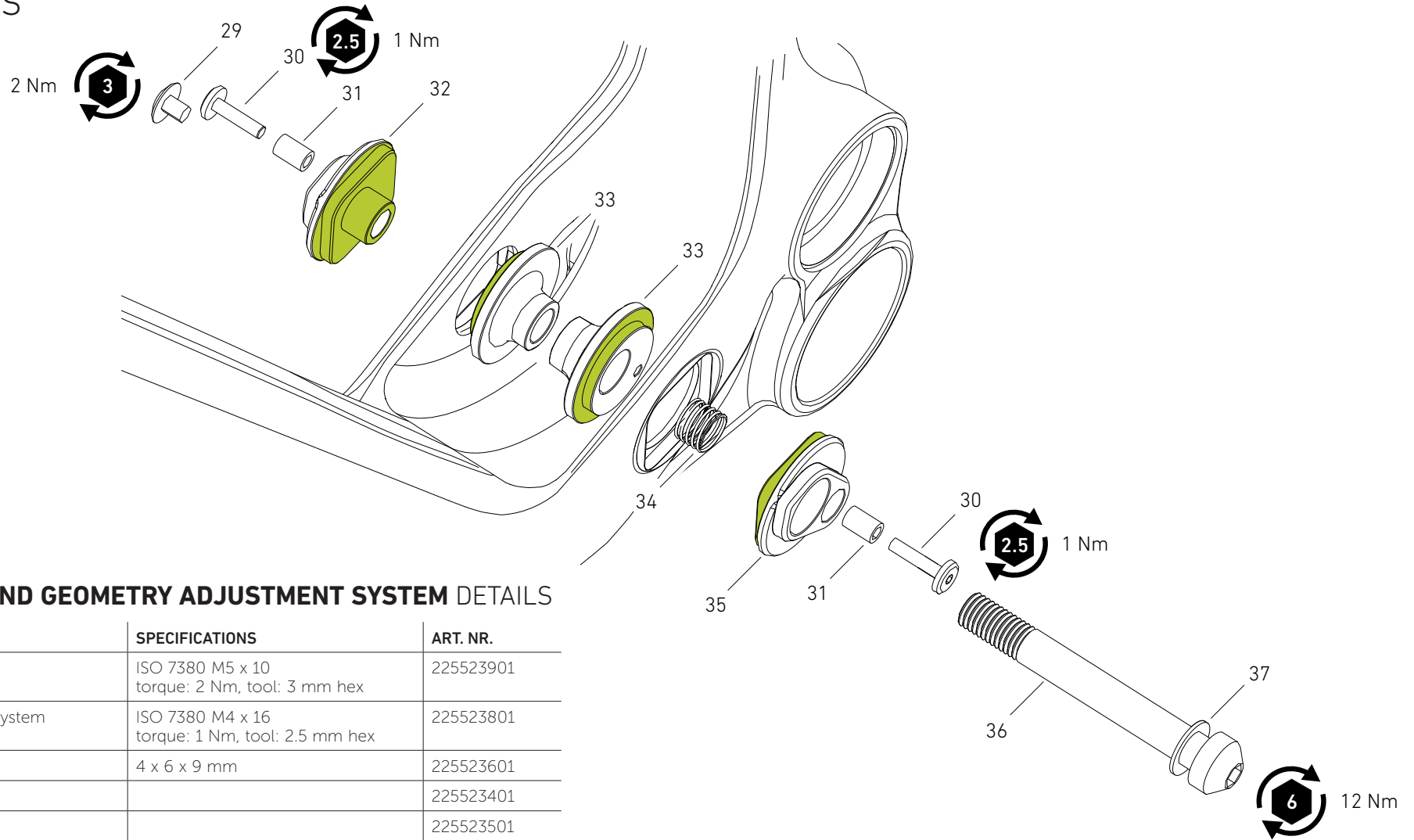
FRAME DETAILS



REAR TRIANGLE DETAILS

POS.	DESCRIPTION	SPECIFICATIONS	ART. NR.
18	fixing screw	M3 x 12 mm	225194101
19	derailleurs hanger	Rose No. 37	
20	screw horst link	torque: 9 Nm, tool: 5 mm hex	225524601
21	washer	10 x 15 x 1 mm	225525101
22	bearing	61900-2RS1, 10 x 22 x 6 mm	225790001
23	bearing spacer	10 x 12 x 7.8 mm	225524301
24	bearing	61801-2RS1, 12 x 21 x 5 mm	225790101
25	washer	12 x 16 x 1 mm	225524901
26	frame protector chainstay		228690001
27	clip		225525201
28	screw clip	M3 x 12	225789301
	GREASE	DYNAMIC GALLI BEARING 100 g	49217800
		DYNAMIC GALLI BEARING 400 g	49217900
	THREADLOCKER	mid strength, for example Art. Nr. 1322431	

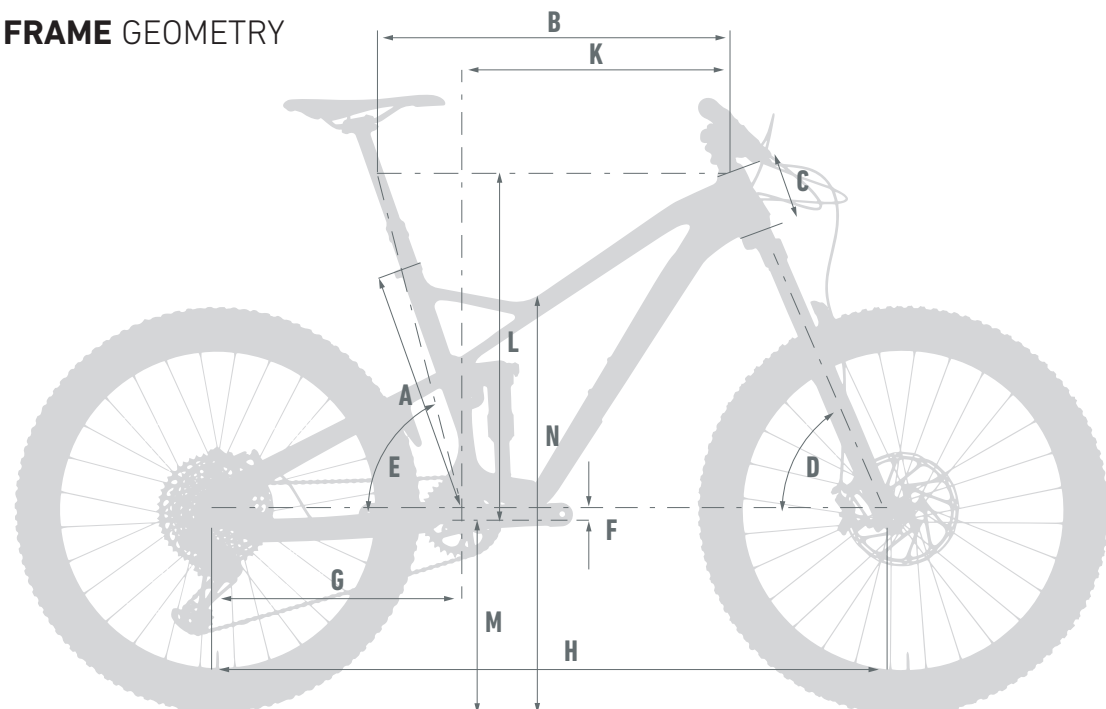
FRAME DETAILS



PROGRESSION AND GEOMETRY ADJUSTMENT SYSTEM DETAILS

POS.	DESCRIPTION	SPECIFICATIONS	ART. NR.
29	screw shock bolt	ISO 7380 M5 x 10 torque: 2 Nm, tool: 3 mm hex	225523901
30	screw adjustment system	ISO 7380 M4 x 16 torque: 1 Nm, tool: 2.5 mm hex	225523801
31	spacer	4 x 6 x 9 mm	225523601
32	chip drive side		225523401
33	dome		225523501
34	spring		225524001
35	chip non drive side		225523301
36	shock bolt	torque: 12 Nm, tool: 6 mm hex	225523701
37	shim for shock bolt	10 x 16 x 0.1 mm, DIN 988	2298435
	GREASE	DYNAMIC GALLI BEARING 100 g	49217800
		DYNAMIC GALLI BEARING 400 g	49217900
	THREADLOCKER	mid strength, for example Art. Nr. 1322431	

FRAME GEOMETRY



FRAME INTERFACES

BOTTOM BRACKET	PressFit30
HEADSET	IS42 / 48, Acros AiX-333, Art. Nr. 226072701
REAR WHEEL AXLE	length: 180 mm, M12x1,75, thread length: 20 mm for example DT Swiss RWS Boost Plug In Axle, Art. Nr. 2269801
SHOCK LENGTH X STROKE	AM: 205 x 60 / EN: 205 x 65
SHOCK HARDWARE	trunnion mount / Ø 10 x 30 mm
REAR BRAKE MOUNT	PM 180
MAX. Ø REAR BRAKE DISC	180 mm
Ø SEAT TUBE	31.6 mm
Ø SEAT POST CLAMP	36 mm, for example ROSE seat post clamp, Art. Nr. 226113801
MAX. TIRE WIDTH	2.5"
WHEEL SIZE	27,5"
MAX. CHAINRING SIZE	36 T
ISCG	ISCG 05
REAR HUB SPACING	Boost 12 x 148 mm

MAX SYSTEM WEIGHT (RIDER + BICYCLE + CLOTHING + GEAR + LUGGAGE): 120 KG

		PIKES PEAK EN SIZE S		PIKES PEAK AM SIZE S		PIKES PEAK EN SIZE M		PIKES PEAK AM SIZE M		PIKES PEAK EN SIZE L		PIKES PEAK AM SIZE L	
		STEEP GEO	SLACK GEO	STEEP GEO	SLACK GEO	STEEP GEO	SLACK GEO	STEEP GEO	SLACK GEO	STEEP GEO	SLACK GEO	STEEP GEO	SLACK GEO
SEAT TUBE LENGTH	A	420 mm				440 mm				460 mm			
TOP TUBE LENGTH	B	591 mm	594 mm	590 mm	592 mm	616 mm	619 mm	615 mm	617 mm	646 mm	649 mm	645 mm	647 mm
HEAD TUBE LENGTH	C	110mm				115 mm				125 mm			
HEAD TUBE ANGLE	D	66,5°	65,6°	67°	66°	66,5°	65,6°	67°	66°	66,5°	65,6°	67°	66°
SEAT TUBE ANGLE	E	75°	74°	75,5°	74,5°	75°	74°	75,5°	74,5°	75°	74°	75,5°	74,5°
BB DROP	F	-2 mm	-14 mm	-5 mm	-17 mm	-2 mm	-14 mm	-5 mm	-17 mm	-2 mm	-14 mm	-5 mm	-17 mm
CHAIN STAY LENGTH	G	430 mm				430 mm				430 mm			
WHEEL BASE	H	1166 mm	1168 mm	1162 mm	1164 mm	1192 mm	1194 mm	1188 mm	1190 mm	1222 mm	1224 mm	1218 mm	1220 mm
REACH	K	432 mm	422 mm	437 mm	427 mm	455 mm	445 mm	460 mm	450 mm	482 mm	472 mm	487 mm	477 mm
STACK	L	595 mm	602 mm	591 mm	598 mm	600 mm	607 mm	596 mm	603 mm	609 mm	616 mm	605 mm	612 mm
BB HEIGHT	M	355 mm	343 mm	352 mm	340 mm	355 mm	343 mm	352 mm	340 mm	355 mm	343 mm	352 mm	340 mm
STANDOVER HEIGHT	N	720 mm	708 mm	717 mm	705 mm	727 mm	715 mm	724 mm	712 mm	740 mm	727 mm	737 mm	725 mm
TRAVEL REAR		165 mm		150 mm		165 mm		150 mm		165 mm		150 mm	
TRAVEL FRONT		160 mm		150 mm		160 mm		150 mm		160 mm		150 mm	